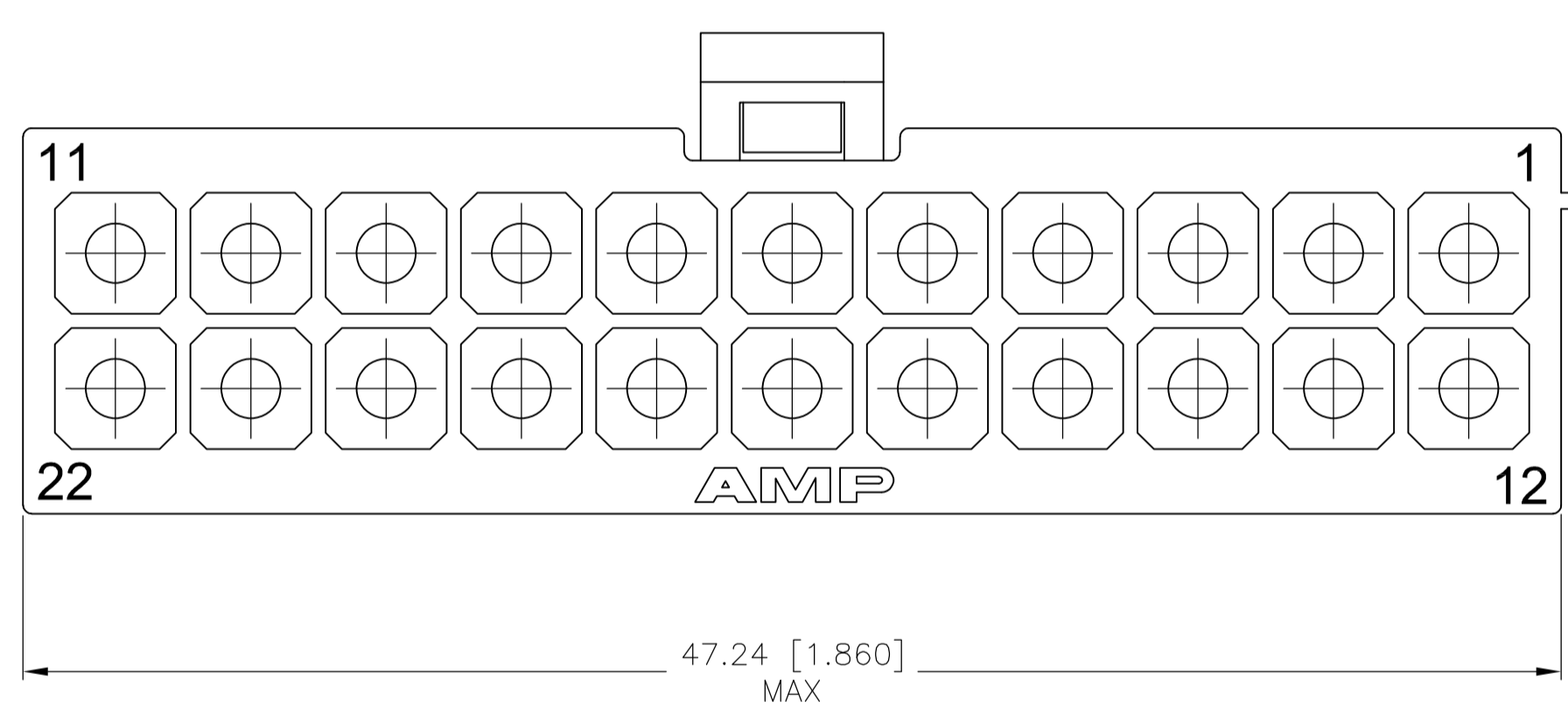
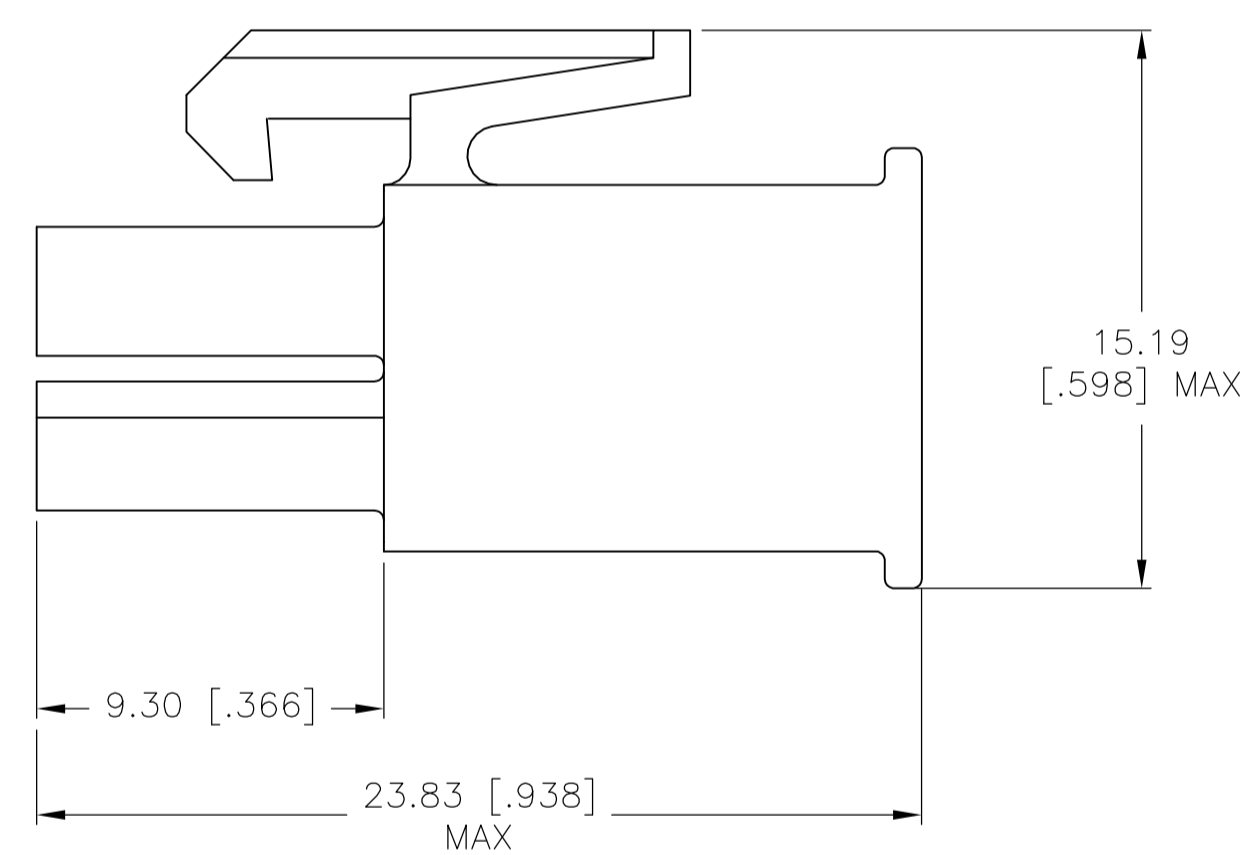
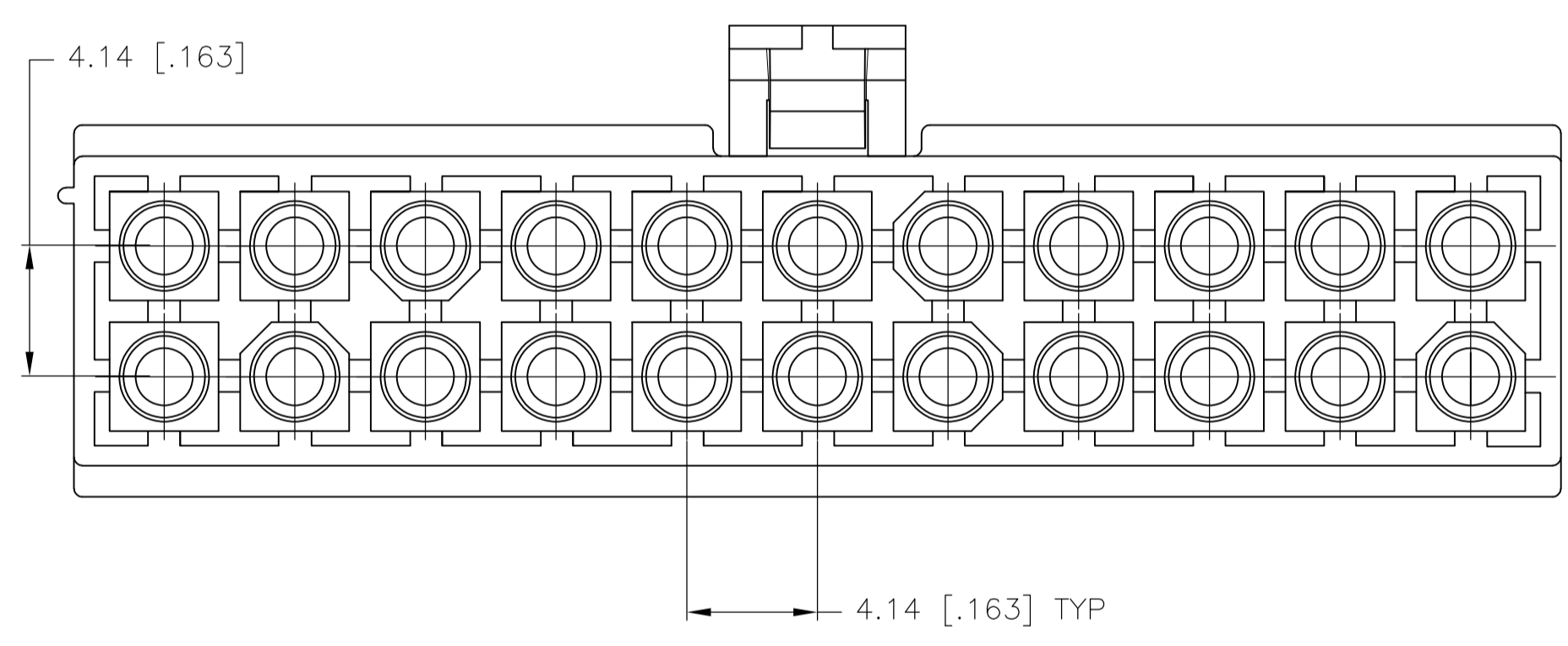
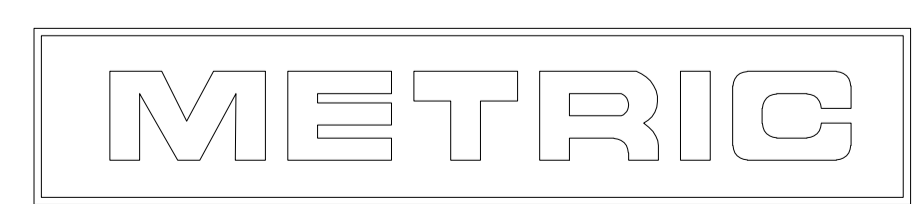


1. INDIVIDUAL CORING FEATURES AROUND BASES OF SILOS MAY NOT BE PRESENT IN ALL LOCATIONS SHOWN.



770586-1
PART NUMBER



THIS DRAWING IS A CONTROLLED DOCUMENT.		DWN: S. HOOVER 12-MAY-2004	TE Connectivity
DIMENSIONS: mm [INCHES]		CHK: C. JONES 12-MAY-2004	
TOLERANCES UNLESS OTHERWISE SPECIFIED:		APVD: C. JONES 12-MAY-2004	NAME: PLUG, 22 CIRCUIT, MINI UNIVERSAL MATE-N-LOK™
0 PLC ±	1 PLC ±	PRODUCT SPEC	SIZE: A1
2 PLC ±	3 PLC ±	APPLICATION SPEC	CAGE CODE: 00779
4 PLC ±	ANGLES ±	WEIGHT	DRAWING NO: 770586
FINISH		CUSTOMER DRAWING	RESTRICTED TO
MATERIAL: NYLON, UL 94V-0 WHITE		SCALE: 4:1	SHEET: 1 OF 1